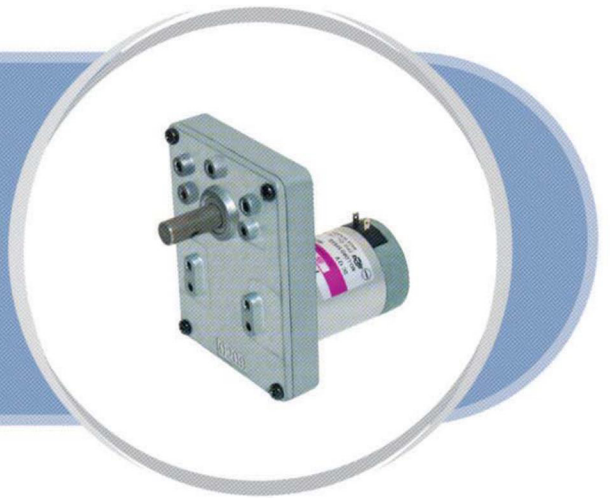
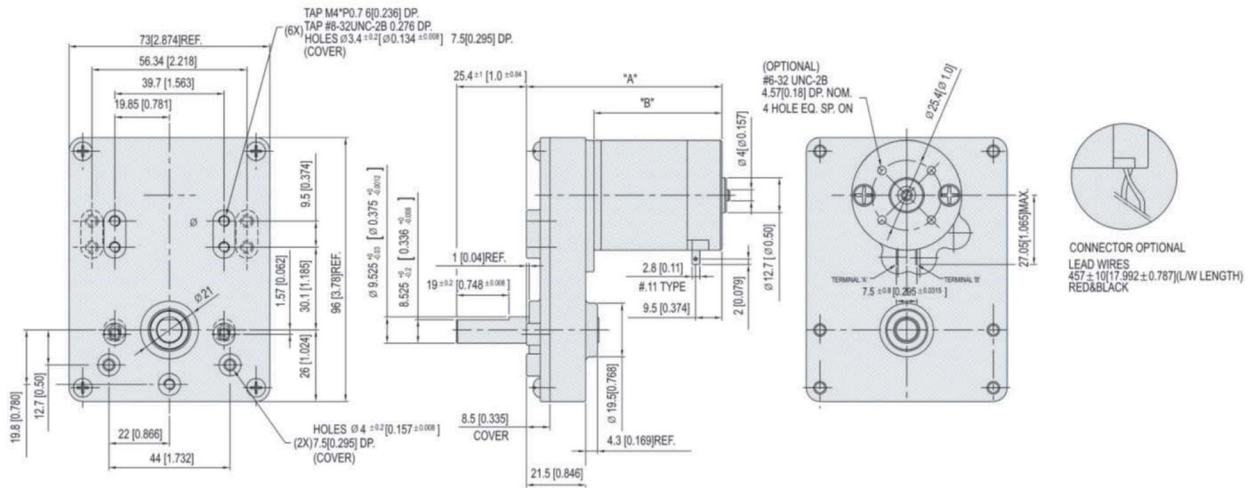


# COMPACT TYPE SQ SERIES GEARED MOTOR



## MOTOR DIMENSION

UNIT : mm[inch]



MODEL NO.	"A"	"B"
SQ42□□□□	70.9 [2.791]	46.4 [1.827]
SQ43□□□□	80.5 [3.169]	56.0 [2.205]
SQ44□□□□	85.6 [3.370]	61.1 [2.406]

MODEL NO.	"A"	"B"
SQ45□□□□	93.2 [3.669]	68.7 [2.705]
SQ46□□□□	102.1 [4.020]	77.6 [3.055]

## PERMISSIBLE TORQUE OF GEAR BOX

(Voltage : DC 24V)

TYPE	GEAR RATIO	38.5	68.4	144	169	192.1	225	444	517.6	844.8	1240.2
SQ42B□□□□	No Load rpm	182.2	102.6	48.7	41.5	36.5	31.2	15.8	13.6	8.3	5.7
	N-m	0.44	0.78	1.65	1.93	2.20	2.57	4.57	5.33	8.69	12.76
	oz-in	62.3	110.7	233.1	273.5	311.0	364.1	646.7	754.1	1230.6	1806.6
	kgf·cm	4.49	7.98	16.80	19.71	22.41	26.24	46.60	54.34	88.68	130.19
SQ43B□□□□	No Load rpm	155.7	87.6	41.6	35.5	31.2	26.6	13.5	11.6	7.1	4.8
	N-m	0.91	1.61	3.39	3.98	4.53	5.30	9.42	10.98	14.21	14.21
	oz-in	128.5	228.3	480.7	564.2	641.2	751.2	1334.0	1555.2	2012.1	2012.1
	kgf·cm	9.26	16.45	34.64	40.66	46.21	54.13	96.13	112.07	145.00	145.00
SQ44B□□□□	No Load rpm	159.8	89.9	42.7	36.4	32.0	27.3	13.9	11.9	7.3	5.0
	N-m	1.18	2.10	4.42	5.19	5.90	6.91	12.28	14.21	14.21	14.21
	oz-in	167.5	297.5	626.4	735.2	835.7	978.7	1738.2	2012.1	2012.1	2012.1
	kgf·cm	12.07	21.44	45.14	52.98	60.22	70.53	125.26	145.00	145.00	145.00
SQ45B□□□□	No Load rpm	164.9	92.8	44.1	37.6	33.0	28.2	14.3	12.3	7.5	5.1
	N-m	1.35	2.39	5.04	5.92	6.72	7.88	13.99	14.21	14.21	14.21
	oz-in	190.8	339.0	713.8	837.7	952.2	1115.3	1980.8	2012.1	2012.1	2012.1
	kgf·cm	13.75	24.43	51.44	60.37	68.62	80.37	142.74	145.00	145.00	145.00
SQ46B□□□□	No Load rpm	127.7	71.9	34.1	34.1	25.6	21.8	11.1	9.5	5.8	4.0
	N-m	1.87	3.32	7.00	8.21	9.33	10.93	14.21	14.21	14.21	14.21
	oz-in	264.9	470.6	990.5	1162.6	1321.5	1547.8	2012.1	2012.1	2012.1	2012.1
	kgf·cm	19.09	33.91	71.38	83.78	95.23	111.54	145.00	145.00	145.00	145.00

\* 기타 감속비는 별도 협의